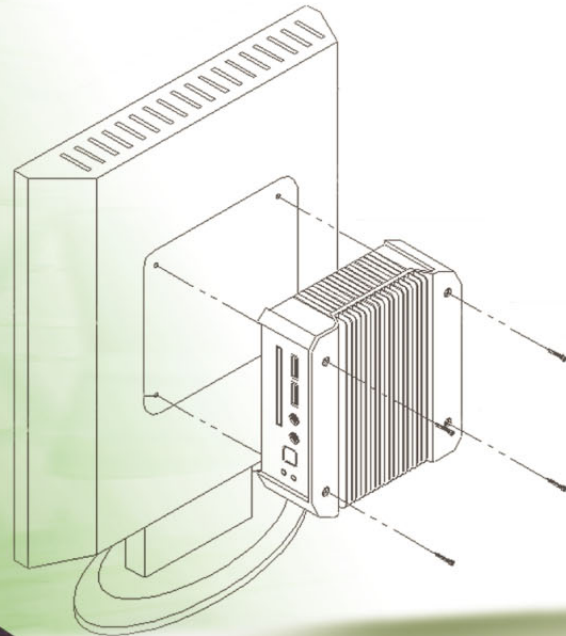




VESA PC eBox-2300



VESA PC eBox-2300

- ▶ Support VESA mounting hole
- ▶ Onboard Vortex86 SoC
- ▶ Onboard 128MB SDRAM
- ▶ Onboard audio
- ▶ Compact Flash slot
- ▶ 3 x USB V1.1 ports (2 on front)
- ▶ Onboard 10/100Mbps LAN
- ▶ PXE diskless boot
- ▶ Ultra low power
- ▶ 2.5" Hard Disk installation (optional)

www.compactpc.com.tw

Specification	eBox-2300
Processor	Vortex86 SoC (System-on-Chip) (FANLESS)
BIOS	AMI BIOS
Memory	128 MB SDRAM onboard
Graphic	Shared system memory area 8 MB external 15-pin D-type female VGA connector
Ethernet Interface	Realtek 8100B single chip x 1 throughput: 10/100 Mbps
I/O	Enhanced IDE interface, 44pin box header x 1 Type I/II Compact Flash slot x 1 USB Port x 3 (2 in the front) RJ-45 Ethernet connector External 6-pin mini din for PS2 Keyboard & Mouse
Audio	AC97 CODEC, fully compliant with AC97 V2.1 Phone jack for MIC-in and Line-out
Power Requirement & Management	Power push button x 1 Single voltage +5V @3A, w/ ACPI function
Dimensions	115 x 115 x 35 mm
Weight	505 g
Operating Temperature	0 ~ +60°C
Certification	CE, FCC